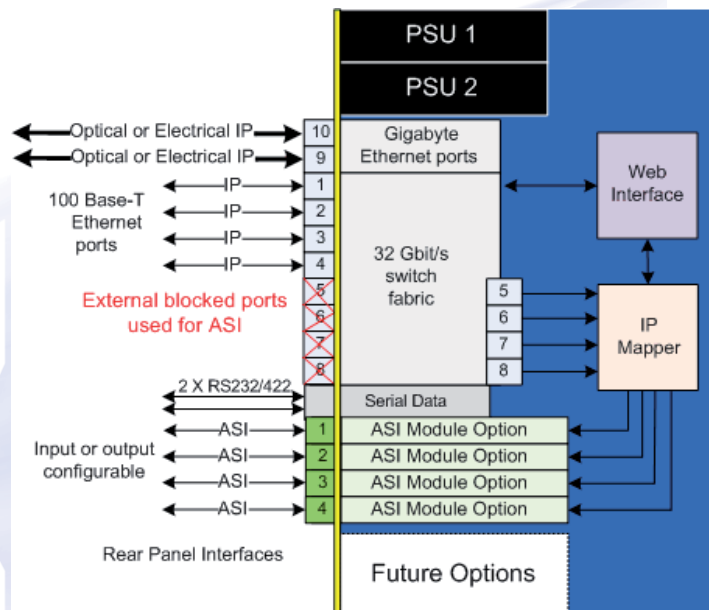


# Ethernet Adapter Switch 2800

Managed Ethernet switch with ASI and RS232/422 user ports

## Product Highlights

- Dual Gigabit Ethernet network ports with a range of SFP's
- Optional DVB - ASI ports
- Optional ASI protection switching
- Rapid Spanning Tree (RSTP) for fast redundant ring or mesh connections
- Redundant network ports for automatic 1+1 network protection
- RS232/RS422 user port for remote automation and machine control
- Six Fast Ethernet user ports
- Priority Queuing (QoS/CoS) for real time applications
- IGMP for Multicast filtering (snooping and querying)
- VLAN for convenient traffic segregation



The EASY 2800 (Ethernet Adapter Switch with options) is a fully managed Gigabit Ethernet switch manufactured and pre-configured specifically for the broadcast and enterprise video market.

The fully manageable core switch with its low switching latency and Quality of Service (QoS) makes it an ideal platform for passing high bandwidth delay sensitive traffic.

Up to four optional DVB-ASI ports, each providing up to 170 Mbps bandwidth throughput makes the EASY 2800 ideal for lightly compressed HD and 3D signals.

Two RS422/232/485 ports provide remote control connectivity to cameras, tape desk and automation systems.

With 32 Gbit/s switched core the EASY 2800 provides any to any switching and network access platform in one compact chassis.

DVB-ASI ports can be configured as transmit or receive making the EASY 2800 a 2 x TX or 2 x ASI over IP adapter or TX/RX adapter.

Two integrated RS232/RS422/485 channels provide communication between serial data interfaces and IP/Ethernet for automation systems and serial data ports on a variety of equipment.

Redundant network ports enables secure 1+ 1 link diversity and secure ring networks to be deployed

A choice of SFP's provides for electrical or optical GigE with short and long haul 1300nm and 1550nm options.

Dual redundant power supplies either AC or DC provide peace of mind for continuous operation.

ARG Ethernet Adapter Switch - specifications	
Ethernet 6 X FE RJ45 2 x GE on SFP	Store & forward wire-speed switching Automatic address learning, aging and migration Full duplex operation with flow control (no collisions) All IEEE 802.3 Ethernet protocols supported 8192 MAC addresses supported Memory bandwidth 32 Gbps Typical latency (varies on load) @ 100 Mbps: 5 $\mu$ s + frame time @ 10 Mbps: 16 $\mu$ s + frame time Ethernet isolation 1500 VRMS 1 minute IEEE 802.3 (10Mbps Ethernet supports legacy devices) IEEE 802.3u (Fast Ethernet 100Mbps for newer devices) IEEE 802.3z (Gigabit Ethernet 1000Mbps) IEEE 802.3x (Full-Duplex with Flow Control) IEEE 802.1D/w, 802.1p, 802.1Q and others SFP Options GigE (Small Form-factor Pluggable transceivers) Please consult sales office for current SFP options.
Serial Data to IP 2 x selectable	Two ports, 9 Way D type female RS232, RS422/485 4wire, RS485 2 wire 7 or 8 Bit, none or Even/Odd parity, 1 or 2 stop bits 300 bit/s - 115 Kbit/s
DVB-ASI (options) 4x ASI	4 ports max, BNC 75 Ohm Selectable TX or RX Max throughput 170 Mbps per port SMPTE 2011 compliance COP.3 FEC
Power	Dual supply, single phase auto-ranging, 100-240VAC (50-60Hz). 36 -72 V DC (factory fitted option)
Physical	Height: 43mm (1U), Width: 482.6mm (19") Depth: 390mm inc. Weight: 4.7kg