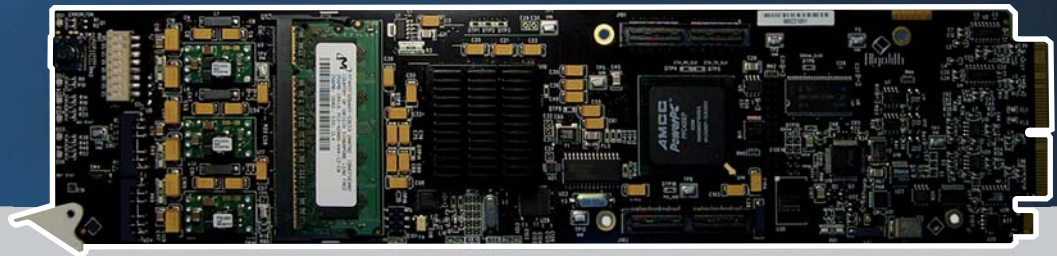


## VLD-1002-MD

### Dual SD/HD Video Line Delay



The Algogear™ VLD-1002-MD Video Line delay is designed for delay applications in both standard and high-definition SDI environments on up to two channels. It supports all popular standard-definition and high-definition video formats including 480i59.94, 576i50, 720p50, 720p59.94, 720p60, 1080i50, 1080i59.94 and 1080i60. Delay programming can be added in time units (sec.) or video units (pixels, lines or frames). In a 2 channel configuration, the VLD-1002-MD provides up to 5 seconds of delay in HD and 30 seconds in SD with the optional 2 GB\* SODIMM (Small Outline Dual Inline Memory Module). The delay can be doubled in a 1 channel configuration.

The VLD-1002-MD will automatically delay all 16 channels (4 groups) of embedded audio to compensate for the video delay. In addition, ancillary data, closed caption and time code information are also delayed according to video.

### Key Features

- Dual channel SD/HD video line delay
- Dual outputs per channel, output format follows input format
- Delay programming in time units (sec.) or video units (pixels, lines or frames)
- Programmable output settings to main program or delayed main program
- Up to 5 seconds of delay for HD and up to 30 seconds of delay for SD, at 2GB\* memory in a 2 channel configuration (Up to 10 seconds /HD & 60 seconds/SD in a 1 channel configuration)
- Passes Ancillary Data (including embedded audio)
- SNMP Support
- Controlled by easy-to-use DashBoard software

Designed for

**openGear**

open architecture frame  
and cards



\* The Algogear platform is equipped with 256 MB of memory. 2 GB of additional memory is available for the VLD-1002-MD.



VLD-1002-MD

## algogear™

Algogear™ is a flexible, future-proof, modular solution that can maximize bandwidth, clean, synchronize and scale media. With the One Price, One Platform, More Choices program, Algogear delivers unparalleled value and flexibility to broadcasters leveraging the Algogear solution.

The program lowers the cost of all Algogear applications to one simple price and gives you the ground-breaking ability to reprogram your card with any of the available Algogear solutions at any time, at no cost to you

The Algogear series card is designed specifically for the openGear frame and controlled by the easy-to-use DashBoard software. The 2RU openGear frame allows the additional flexibility to choose from over one hundred solutions from many vendors; giving broadcast professionals additional flexibility along with the freedom to choose the best solution for their specific application.

## Specifications

### SD/HD SDI Video

Signal: SD (SMPTE 259M-C) (270 Mbps)  
 HD (SMPTE 292M)  
 (1.485, 1.485/1001 Gbps)  
 Format autodetect  
 Format Supported: SD 480i59.94, 576i50,  
 HD 720p50, 720p59.94,  
 720p60, 1080i50,  
 1080i59.94, 1080i60  
 Ancillary Data: Passthrough

### Video Inputs

Connectors: Two (2) BNC  
 Return Loss: SD >21dB up to 270 Mbps  
 HD >14dB up to 1.5 Gbps  
 Impedance: 75 Ω unbalanced

### Video Outputs

Connectors: Four (4) BNC  
 Return Loss: SD >17dB up to 270 Mbps  
 HD >11dB up to 1.5 Gbps  
 Jitter: SD < 0.2 UI  
 HD < 0.3 UI  
 Impedance: 75 Ω unbalanced

### Reference

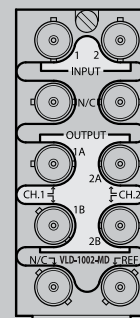
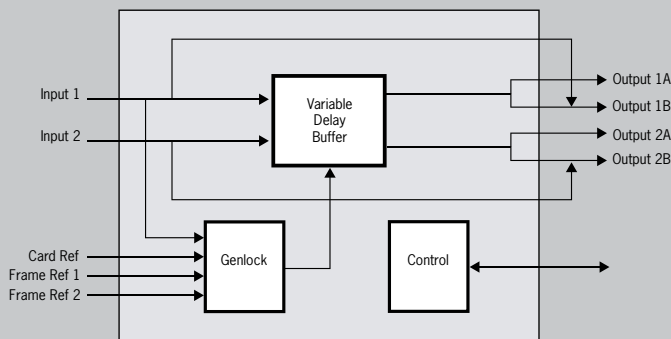
Connector: One (1) BNC, SMPTE 170  
 Bi-level, Tri-level

### Control

Inputs: One (1) RJ-45 on frame  
 Software: Dashboard

**Power** 14 W

**Warranty** Two years parts and labour



Rear Label

## Ordering Information

Part Number

**VLD-1002-MD:** Video Line Delay

**DFR-8310-N:** openGear Digital Frame, 2RU, 10 slots, modular rear, with network card, cooling fans and one PS-8300 power supply

**DFR-8310-N-BNC:** openGear Digital Frame, 2RU, 10 slots, fixed 100 BNC rear panel, with network card, cooling fans and one PS-8300 power supply

**RM-8300-B:** openGear single rear I/O module, 10 BNC  
**PS-8300:** openGear power supply

**SNMP-8310:** SNMP monitoring

**MEM-DDR2-2GB:** Pre-installed 2GB DDR2 SODIMM Memory (Kingston RMN2-667/2G)



Product specifications and availability are subject to change without notice.



**Algolith Inc.**

400 Isabey  
 Montréal, Quebec  
 Canada H4T 1V3

T. +1.514.335.9867  
 T. +1.877.ALGOLITH  
 F. +1.514.333.9873

www.algolith.com