

9220

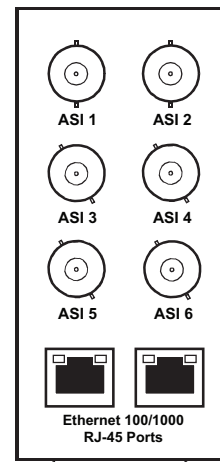


Bidirectional ASI/MPTS Gateway

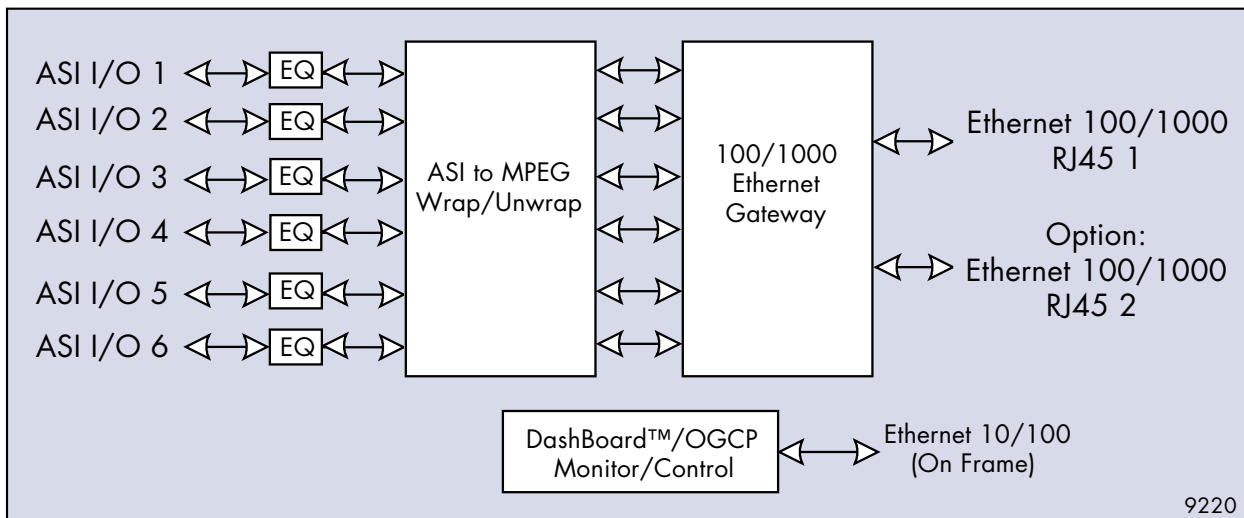
The 9220 card bidirectionally converts and manages up to six ASI interfaces over a Gigabit MPTS interface, seamlessly facilitating plant contribution/distribution IP encapsulation/de-encapsulation. Designed with the latest advances in SMPTE 2022 FEC error correction, reliable and flexible IP-based content storage and management is realized in a card which is installed in a standard openGear™ frame. DashBoard™ remote control allows easy centralized control and monitoring access.

Features

- Six ASI inputs/outputs on BNC connectors
- Bidirectional ASI/ IP encapsulation or de-encapsulation
- 1x Gigabit Ethernet IP interface
- Optional 2x Gigabit IP interface
- Multicast IGMP v1, v2, and v3 support
- Hot-swappable
- High density with 60 channels per 2RU frame
- Energy-efficient 12 watt power consumption
- Remote control/monitoring via DashBoard™ software or OGCP-9000 control panel
- Five year warranty



RM20-9220-B



9220 Block Diagram

9220

Ordering Information

- 9220** Bidirectional ASI/MPTS Gateway
- +TS** Optional Additional ASI or IP Transport Stream Output
- +GBE** Optional Activated Second Gigabit Ethernet Port
- +FEC** Optional SMPTE 2022 Transmit or Receive for One Transport Stream
- RM20-9220-B** 8321 Frame Rear I/O Module (Double Width), 4 HD/SD-SDI Input BNCs, 4 HD/SD-SDI Output BNCs, 4 GPIO Ports, 1 Serial COM Port, 1 Ethernet Port, 1 Reference In BNC

Rear modules also available for 8310 10-slot openGear™ frame (RM-XXXX-X), except where noted.